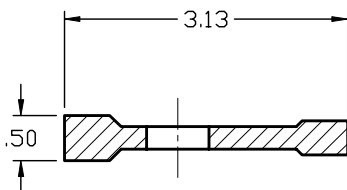
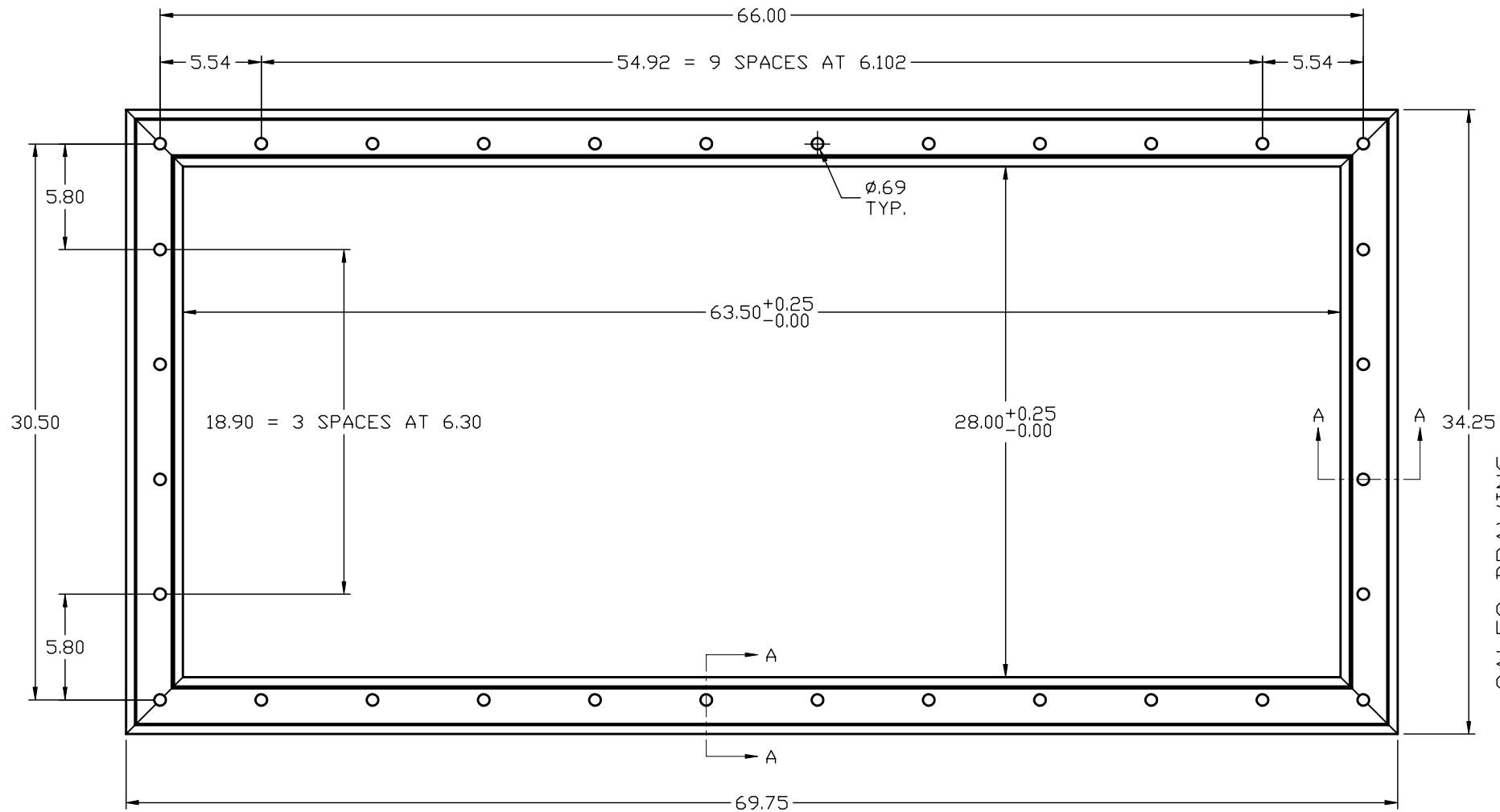


SALES DRAWING

SALES DRAWING



SECTION A-A  
2:1 SCALE

UNLESS OTHERWISE SPECIFIED  
DIMENSIONAL TOLERANCES

FRACTIONAL	±1/16
.XXX	±0.03
.XXX	±0.015
ANGULAR	±1°

THIS PART, PROPERTY OF SALCO PRODUCTS INC.,  
CONTAINS INFORMATION OF PROTECTION AND SHALL  
BE KEPT CONFIDENTIAL TO THE BUYER.  
THIRD ANGLE PROJECTION

REVI	BY	DATE	DESCRIPTION
<b>SALCO PRODUCTS, INC.</b>			
DRAWN BY	MRC	CHKD BY	CLH
SCALE	1/2:1	APPROVAL DATE	9/14/01
MATERIAL: WHITE FDA VINYL DUROMETER 65 TO 75			
PART NAME: GASKET GATE 66X30 1/2			
PROJECT #	010101	PROTOTYPE AND DATE:	APPROVED FOR PRODUCTION:
DRAWING #	E16100	PART #	GG31AQ